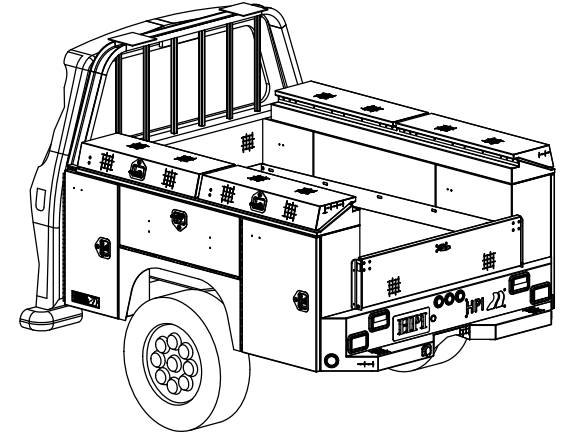


SERVICE BODY

WILL FIT FORD SB
CA= 39.9"
FRAME WIDTH= 37-3/4

NOTE: SERVICE BODY SHOWN WITH ALL AVAILABLE OPTIONS. OPTIONAL COMPONENTS MUST BE ORDERED SEPERATELY. SEE SERVICE BODY OPTION LIST AT BOTTOM RIGHT.



OPTIONAL TOP BOX & OPTIONAL TRAYS (BOX 9059-092)

OPTIONAL CABGUARD WITH 8" LIGHT PADS (9059-097)

GAS SPRING DOOR PROPS

OPTIONAL ROLLER COASTER CARGO TRAY (4312-009)

TAILGATE DROP (590-00014)

ADJUSTABLE SHELVES

DROP DOOR COMPARTMENT WITH CABLE DOOR STOPS

OPTIONAL POWDERCOAT DOORS (050-00075)

OPTIONAL DRAWER SLIDE (9059-131)

STOP TURN AND REVERSE LIGHTS

BOLT ON BUMPER FOR HIDEAWAY GATE (590-00006) FOR DROP GATE (590-00015)

OPTIONAL 12 VOLT LIGHT KIT BOTTOM BOXES (590-00011) TOP BOX (590-00012)

SERVICE BODY OPTION LIST

NO	YES	COMPONENT	QUANTITY
		TOP BOX	
		TOP BOX TRAY	
		TOP BASKET	
		LUMBER RACK	
		DROP TAILGATE	
		HIDEAWAY TAILGATE	
		DECK WITH 4 D-RINGS	
		ROLLER COASTER	
		BED OVERLAYS	
		INTERIOR 12V LIGHTS	
		POWDERCOAT DOORS	COLOR
		OTHER	



TOLERANCES:
ANGULAR ±.25°
FRACTIONAL ±3/16"
TWO PLACE DECIMAL ±.125
THREE PLACE DECIMAL ±.0625

CUSTOMER:

QUANTITY: MATERIAL: **1/8" ALUMINUM**
FINISH: **SMOOTH & DP**

KEY#

SPECIAL INSTRUCTIONS:

APPROVAL SIGNATURE _____

DRAWN BY: Djs
ENG DATE: 05/05/11

SALE BY: Jim
CAD FILE LOCATION: C:\SW John\Vantage\Cust Vantage\9062\9062-024\

CAD FILE: Service Body Ov1

HIGHWAY PRODUCTS INC. FAX 1-800-465-9545
1-800-TOOL BOX WWW.800TOOLBOX.COM